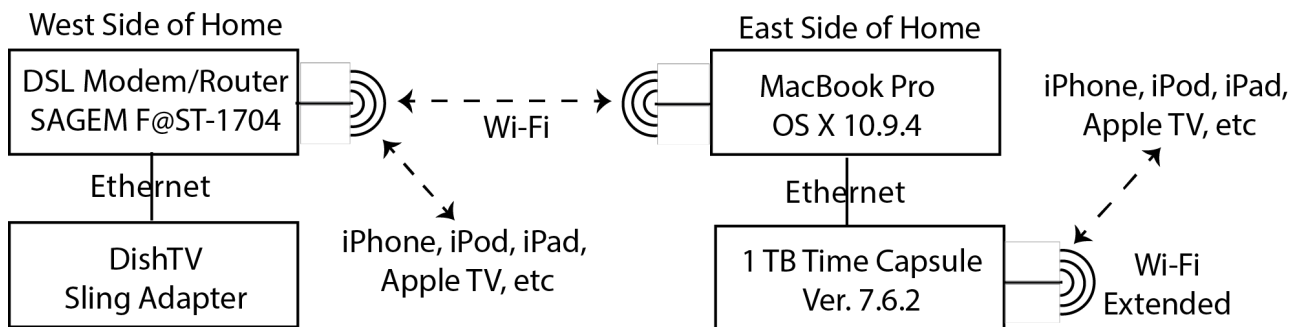


Setting up a Time Capsule to extend the Wi-Fi coverage And Stop That Dreaded Amber Light - No Internet Connection

My Time Machine worked just fine with my DSL modem connected to the Time Capsule. Then I needed to connect a DSL modem/router to the other end of the house and connect it by Ethernet to a Sling Adapter connected to my DishTV DVR. I connected the Time Capsule by Ethernet to my computer and it worked, but I got the dreaded flashing amber light on the Time Capsule – No Internet Connection. I tried to do a firmware update, but that didn't work because No Internet Connection. I liked using the Time Capsule directly connected to my computer by Ethernet but I wanted to stop that dreaded flashing amber light. Apparently no one had documented such a setup. Here is what I came up with after experimenting. As a bonus, I can use the Time Capsule to extend my Wi-Fi coverage.



The MacBook Pro is connected to Internet via Wi-Fi and the DSL Modem/Router. I connected an Ethernet Cable from the Mac to the **single WAN port** on the Time Capsule. Time Machine was setup to work with the Time Capsule via Ethernet. Then to make the Internet connection, I am using the following:

Set the following **System Settings Preferences**:

Network: Wi-Fi: Advanced: TCP/IP: Configure IPv6: **Link-local only & Click OK**

Network: Ethernet: Advanced: TCP/IP: Configure IPv6: **Link-local only & Click OK**

Network: Now Click **Apply**

Sharing: Internet Sharing: Share your connection from **Wi-Fi**

Sharing: Internet Sharing: To computers using: **Ethernet**

Open **AirPort Utility**: an app found at Applications: Utilities: AirPort Utility

Click on your **Airport Time Capsule**

Now click on **Edit** in the box that opens

Base Station: set up normally with name and password

Internet: Internet: Internet Options: Configure IPv6: **Link-local only**

Wireless: Network Mode: **Create a wireless network**

Wireless: Wireless Network Name: use a different name from DSL network

Wireless: Wireless Security/Password: set up normally

Network: Router Mode: **Off (Bridge Mode)**

Then **Update**.

The Signal and Signal to Noise Ratio (SNR) at the MacBook Pro was much improved. Using System: Library: CoreServices: Applications: **Wireless Diagnostics** to test the Signal, SNR, and Quality at MacBook Pro: From TC: -55dbm, 35, Excel.; from DSL: -80dbm, 10, Good.

shenning@macatlehighvalley.org

<http://macatlehighvalley.org/Wi-Fi%20Setup.pdf>